

Flexible vertical shading



We reserve the right to make technical alterations. February 2008

Vertikal-
Markise
VertiTex
Universal





VertiTex Universal

Verticals blinds

VertiTex universal is designed to be mounted in front of windows. It can be easily installed on the window frame or the reveal.

Technical details

Embodiment

- VertiTex Universal = Wall- or ceiling mounted blinds

Max width VertiTex Universal

- 1 section unit: 600 cm
Max height: 240 cm with SOLTIS 86, 92 and 93;
Seamless acrylic uni fabrics up to 220 cm width.

Technical equipment

- Ideal vertical shading for WeiTop products and windows
- Side guiding with steel wires
- Bottom rail connected on floating bearings

- Floating mounts guarantee minimum sagging of plant and therefore an ideal fabric level and engine smoothness
- Different attachments

Pattern

- SOLTIS 86 (standard), SOLTIS 92 and 93, seamless acrylic uni fabrics

Powder coating

- In 47 standard colours and 8 conservatory trend colours at a minimal extra charge
- Surface permanently resistant to scratching und weather

Drive

- Motor as standard

Options

Drive

- Remote controlled motor

Controls

- Sun and wind monitor

Powder coating

- Other RAL colours
- Other structure colours

The technical product highlights of the VertiTex Universal



VertiTex Universal

VertiTex Universal

The universal model is ideally suited for mounting on window frames and reveals.

The minimal top box dimensions allow an unobtrusive mounting.

We reserve the right to make technical alterations. February 2008



VertiTex Universal



VertiTex Universal



stainless steel bolts in the drop profile

Motor drive

The standard motor has automatic reverse for tensioning.

Stainless steel tension bolts

The location bolts for the wires are made from stainless steel. Special supports allow the necessary slackness i.e. for strong winds: no twisting or canting, secure and neat running.

Mounting of VertiTex



wire bracket, small (standard)



wire bracket



window sill wire bracket

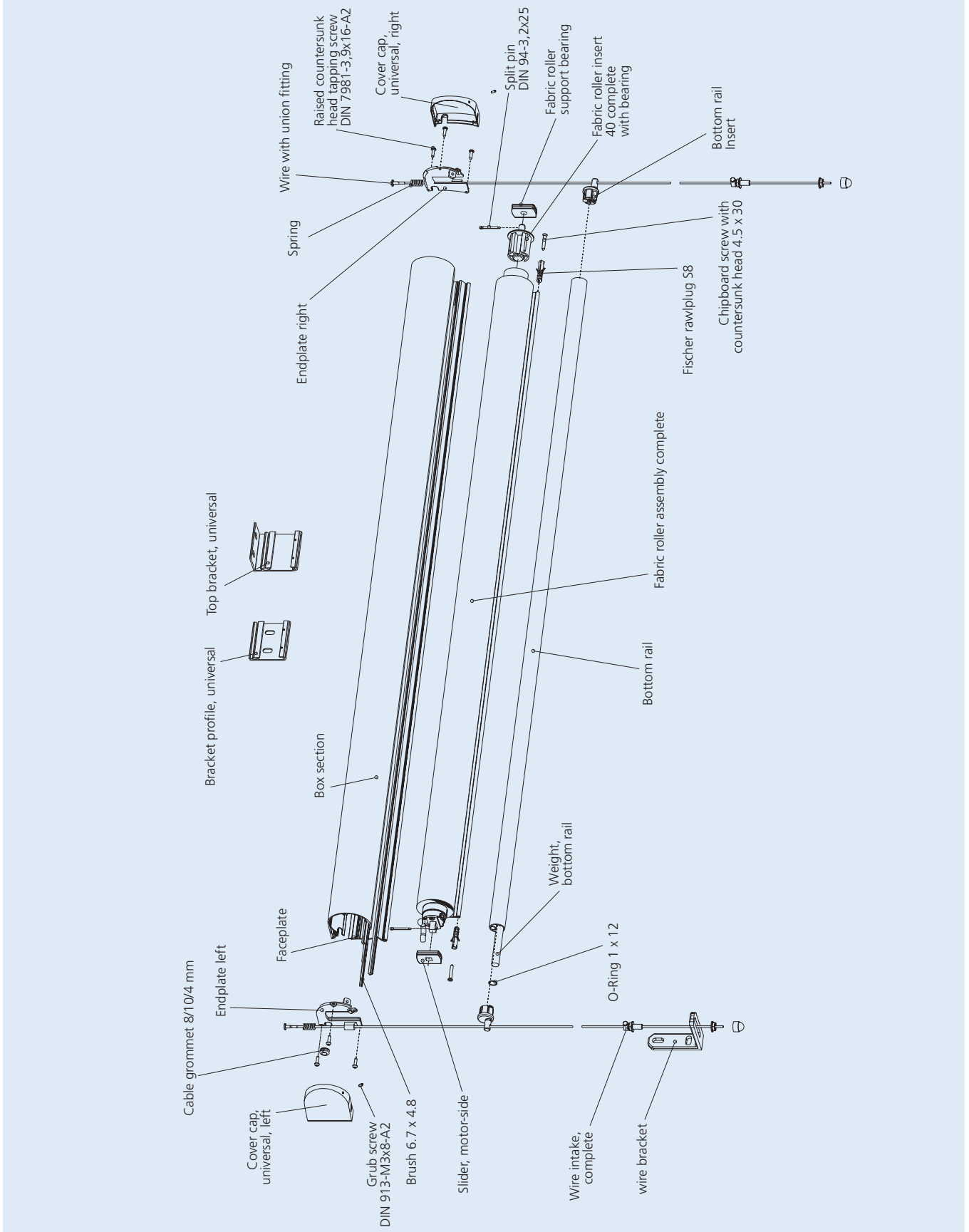
The VertiTex Universal wire bracket

The wire bracket window sill can be screwed down, i.e. in the window sill. The provided standard wire bracket is usually used on stable surfaces.

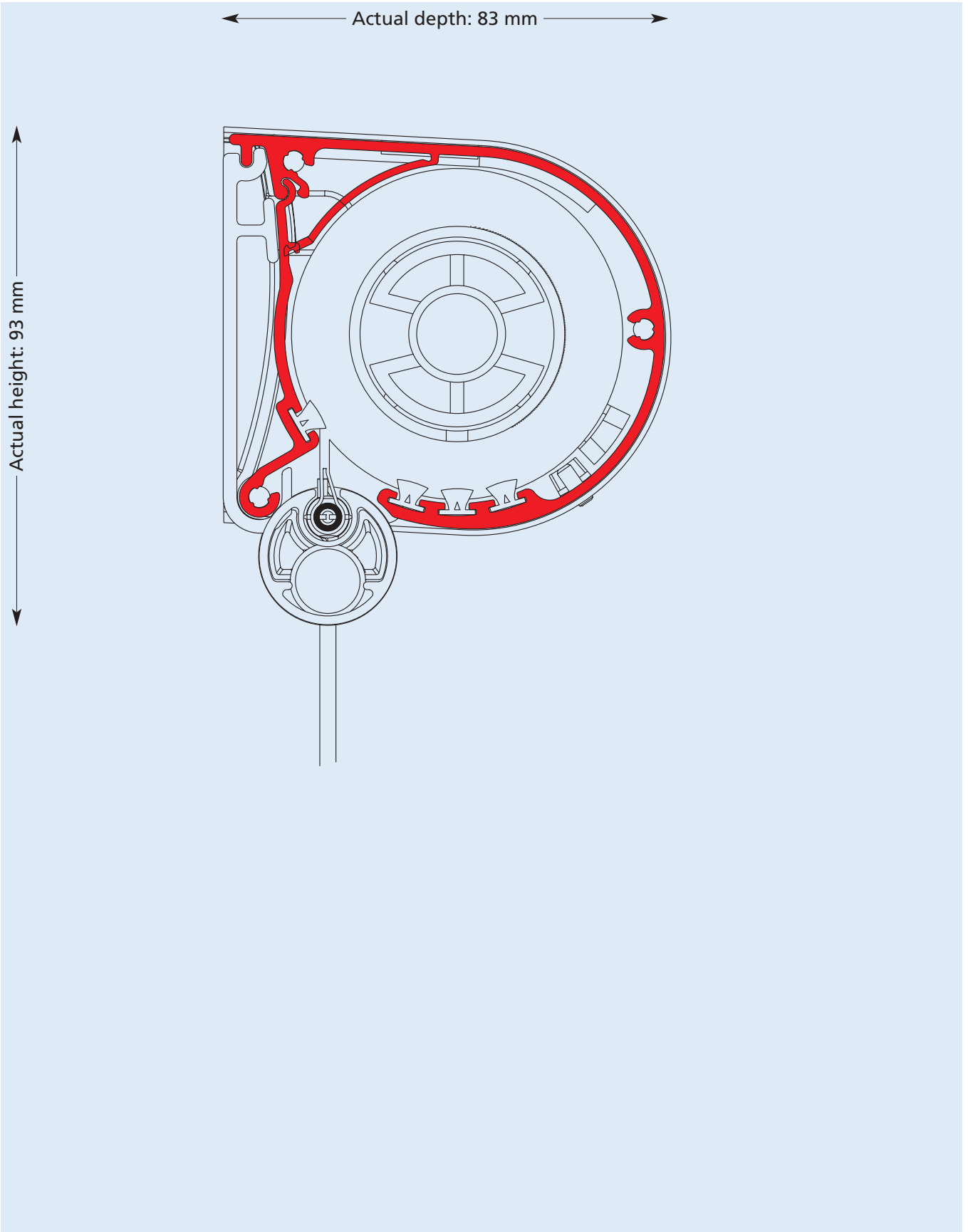
Product benefits at a glance

Benennung	Material	Oberflächen- behandlung	Qualitätsmerkmale	Ihr Vorteil
Casing section, Front rail	Aluminium, extruded	Chrome-free pre-treated, powder coated	Surface permanently resistant to scratch- ing and weather	You choose the powder coating colour for your VertiTex sections to suit your personal taste. Pre-treating the profiles prevents corrosion altogether, even on damaged surfaces.
Screws and connecting elements	Stainless steel		Non-corrosive	No rust, no appreciable wear and tear
Drive motor			Precisely manufactured, robust design	The awning is opened and retracted by an electric tubular motor integrated into the front rail and operated by, for example, a wall switch.
Remote-controlled drive				On request, an integrated tubular motor with WeiTronic receiver can be fitted. The WeiTronic Remoto handheld remote control makes for easy operation of the awning. See the Accessories section for more details.
Fixings Standard and special models	Aluminium, strand pressed, profiles cut and finished	Edges mechanically finished, pretreated without chrome, and powder coated	Surface permanently resistant to scratch- ing and weather	Reasoned quality, precise and weatherproof to the last detail. Similar components make servicing easier.
Awnings material	SOLTIS	Specially coated polyester fibre	Microvented, light permeable	Slim fabrics allow slim top boxes and maximum length
	Seamless acrylic uni fabric (9 Dessins)	Spin-jet dyed, impregnated	Water and dirt repellent surface so called Hi-clean nanotechnologie	The weinor fabric collection offers a wide variety of sophisticated patterns.

Exploded drawing of the VertiTex Universal

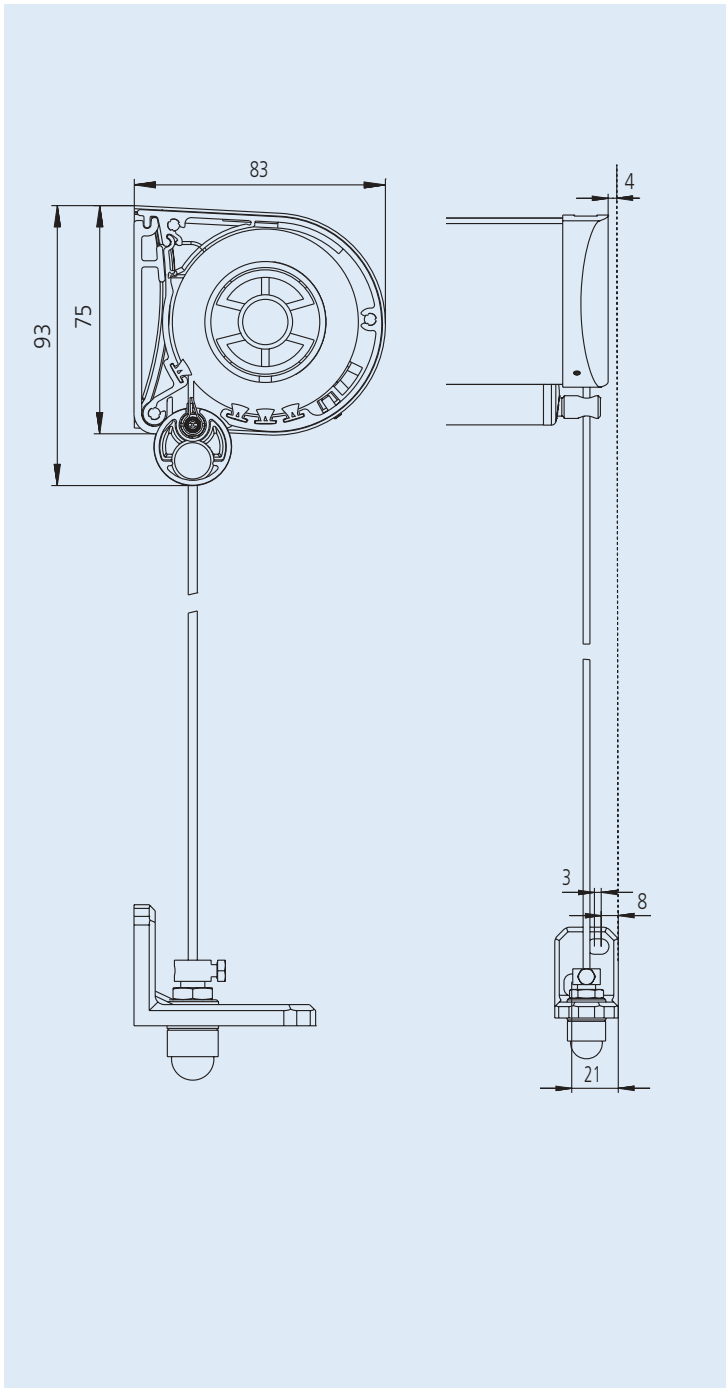


Cross-section of VertiTex Universal – not to scale

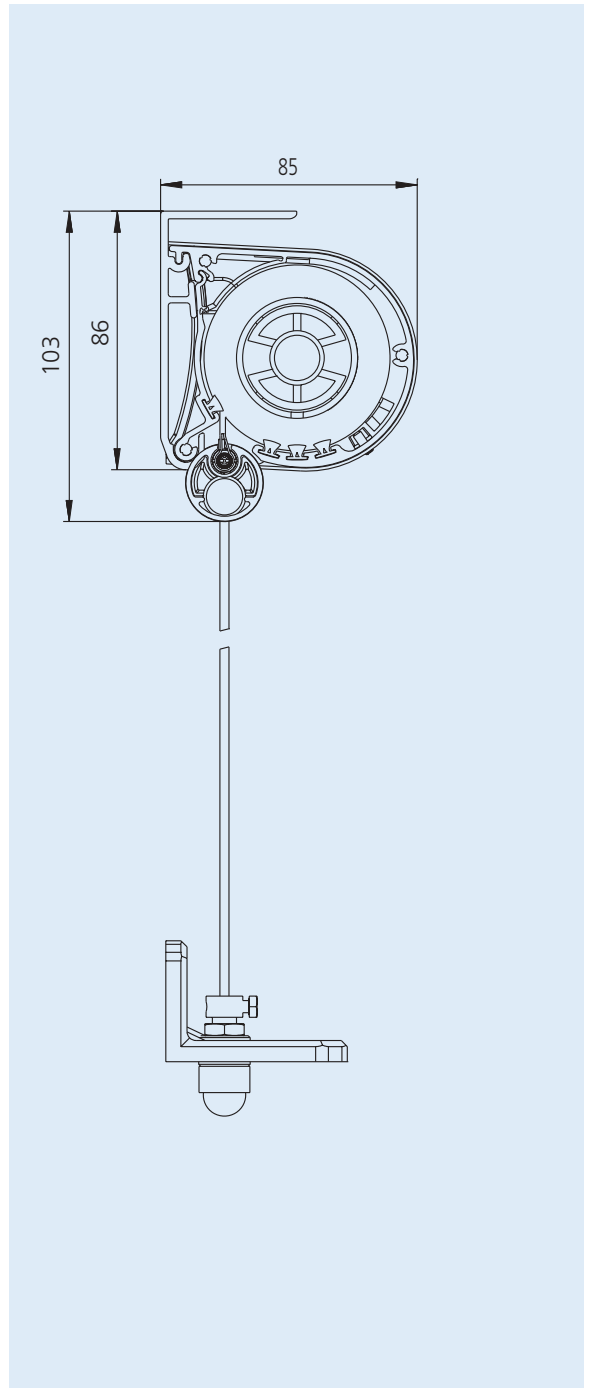


We reserve the right to make technical alterations. February 2008

Standard mounting versions VertiTex Universal

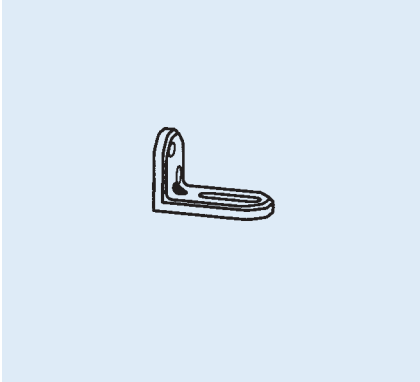


VertiTex Universal
Wall mount with standard attachment wire bracket, small
Minimum distance to ceiling = 8 mm

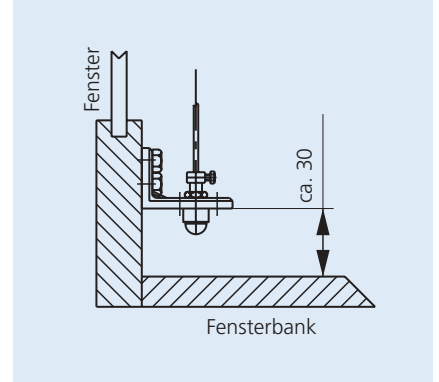
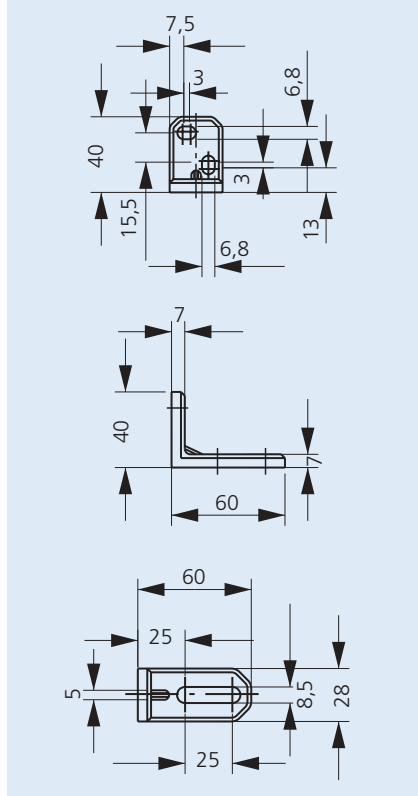


VertiTex Universal
Ceiling mount

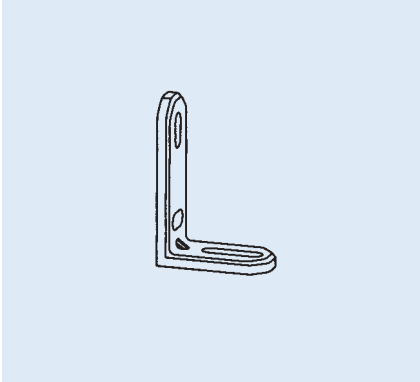
Standard attachment for wire versions



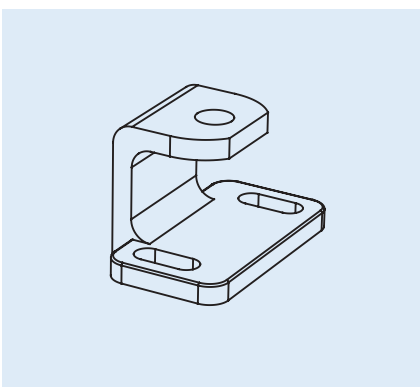
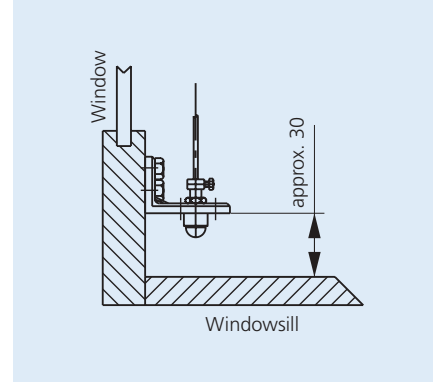
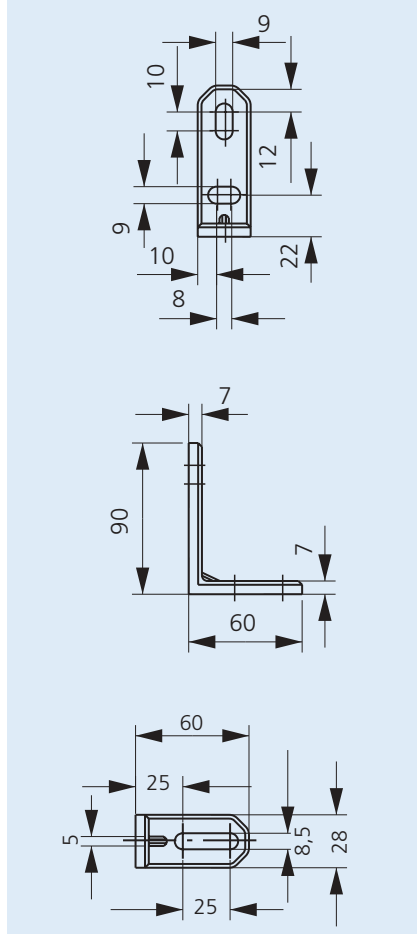
wire bracket, small for window mount



Special attachment for wire versions



wire bracket for window mount



windowsill wire bracket for window mount

